

CALICO | PRO

VIDEO PROCESSOR

POWERING YOUR
VISUAL JOURNEY
PRECISION WITH
EVERY PIXEL

APPLICATION BROCHURE



POWERING YOUR VISUAL JOURNEY PRECISION WITH EVERY PIXEL

CALICO PRO is tvONE's premier video processor series, designed to deliver low-latency, high-performance visuals across LED walls, displays, and projector setups with endless creative possibilities.

Powered by CALICO's fifth-generation processing engine, it ensures exceptional image fidelity with 10-bit video processing, providing over 1 billion colors. Built-in HDR Management enables seamless format conversion for stunning, lifelike visuals.



TECH TALKS

CALICO PRO FEATURES



ENDLESS LAYERS

More windows than you will ever need.



LOW LATENCY

From content to display in typically one frame.



10-BIT COLOR

More than 1 billion colors



INPUT MAPPING

Create up to 32 virtual sources per input.



ONBOARD MEDIA STORE

Images and Labels.



LABELING ENGINE

Inform & Identify.



LUMA KEYING

Easily add logos and graphic elements.



CANVAS WATCH

Monitor any canvas element.



OUTPUT MAPPING

Map complex LED setups with ease.

MUSEUMS & GALLERIES



Entrance Area



Interactive Simulator



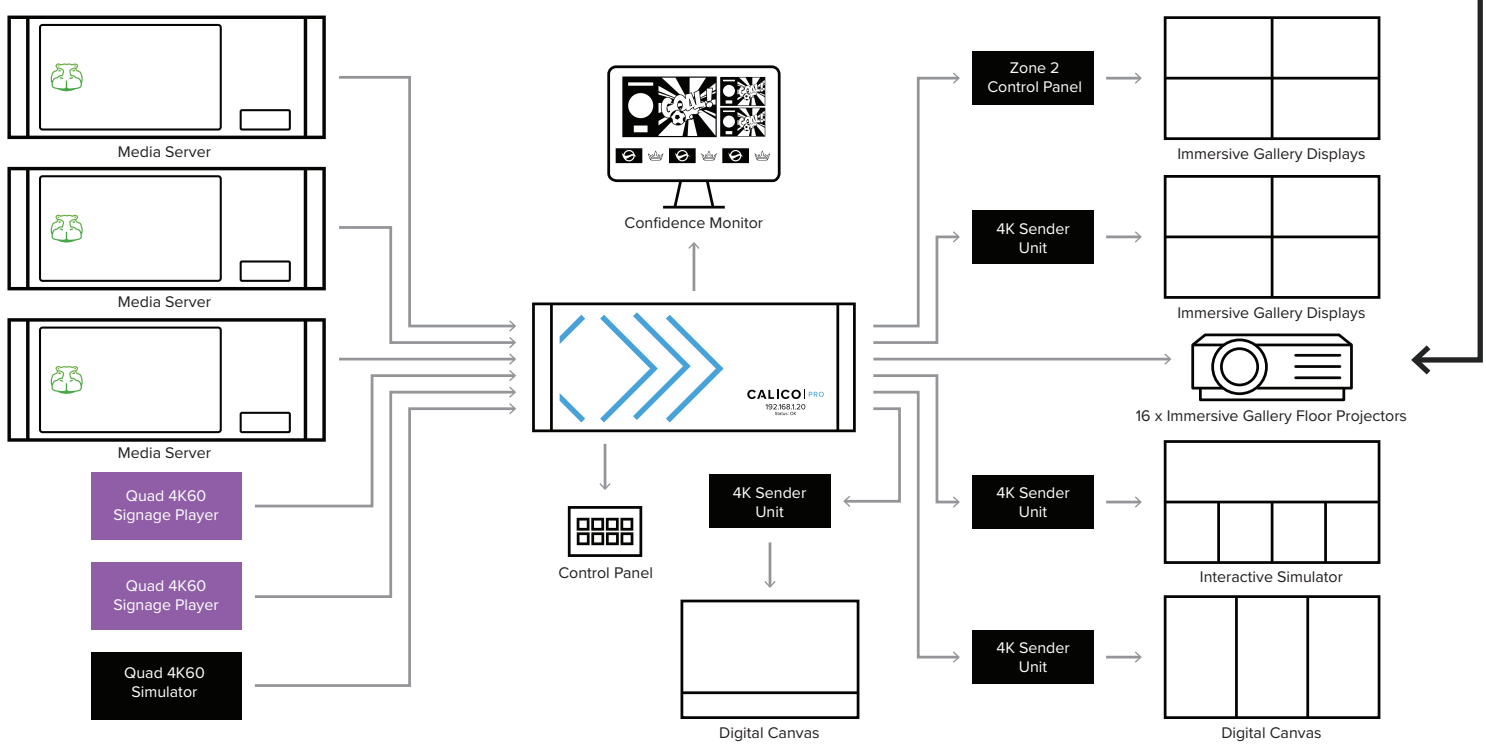
Digital Canvas

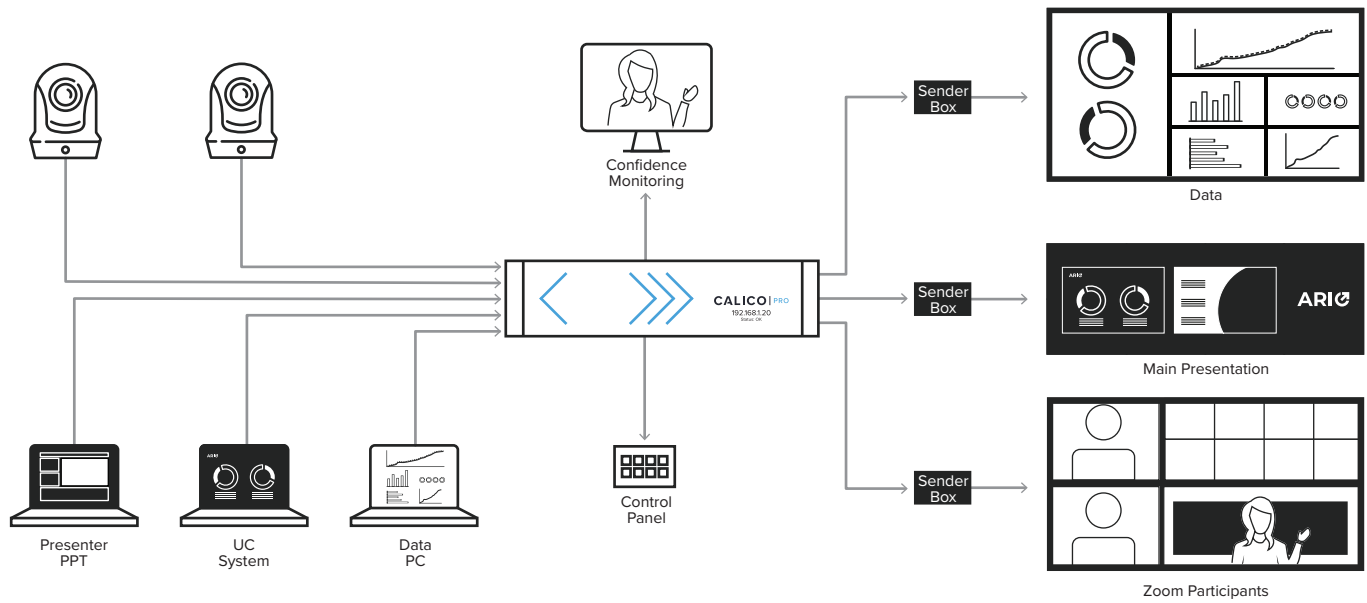


Transform static exhibits into living, immersive storytelling. Bring artworks, artefacts and narratives to life with rich, multi-layered visuals powered by the 4RU CALICO PRO. Its expansive inputs and outputs let you blend media from many sources into a single, seamless experience with captivating multi-window layouts, elegant keying and smooth transitions that guide visitors through your story. From subtle ambience to bold, room-filling installations, if you can dream it, we can make it real.



Immersive Gallery





CORPORATE



CALICO PRO is the perfect solution to boost collaboration and information sharing in your corporate environments. 4K clarity, 24/7 reliability, hundreds of video windows and compatibility with any LED wall, projector or display help you boost productivity and reduce display costs.

LEARN MORE

IN ROOM. ONLINE. BE THERE.

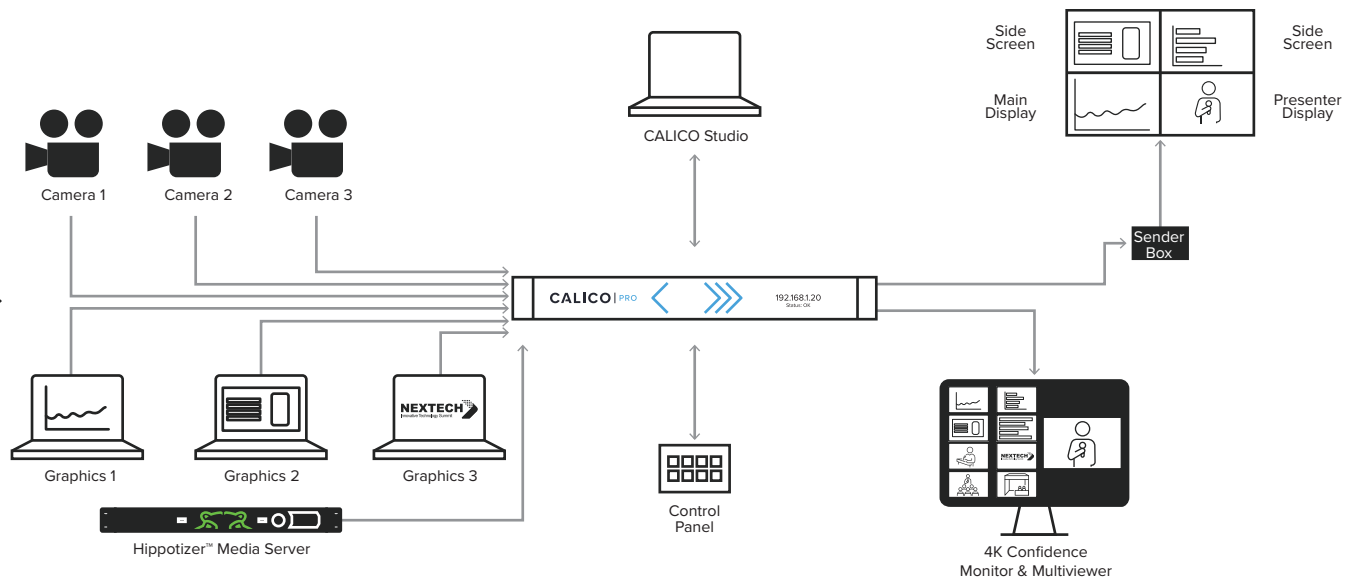
Collaborative visual engagements in your boardroom.

Download the blog



LIVE EVENTS

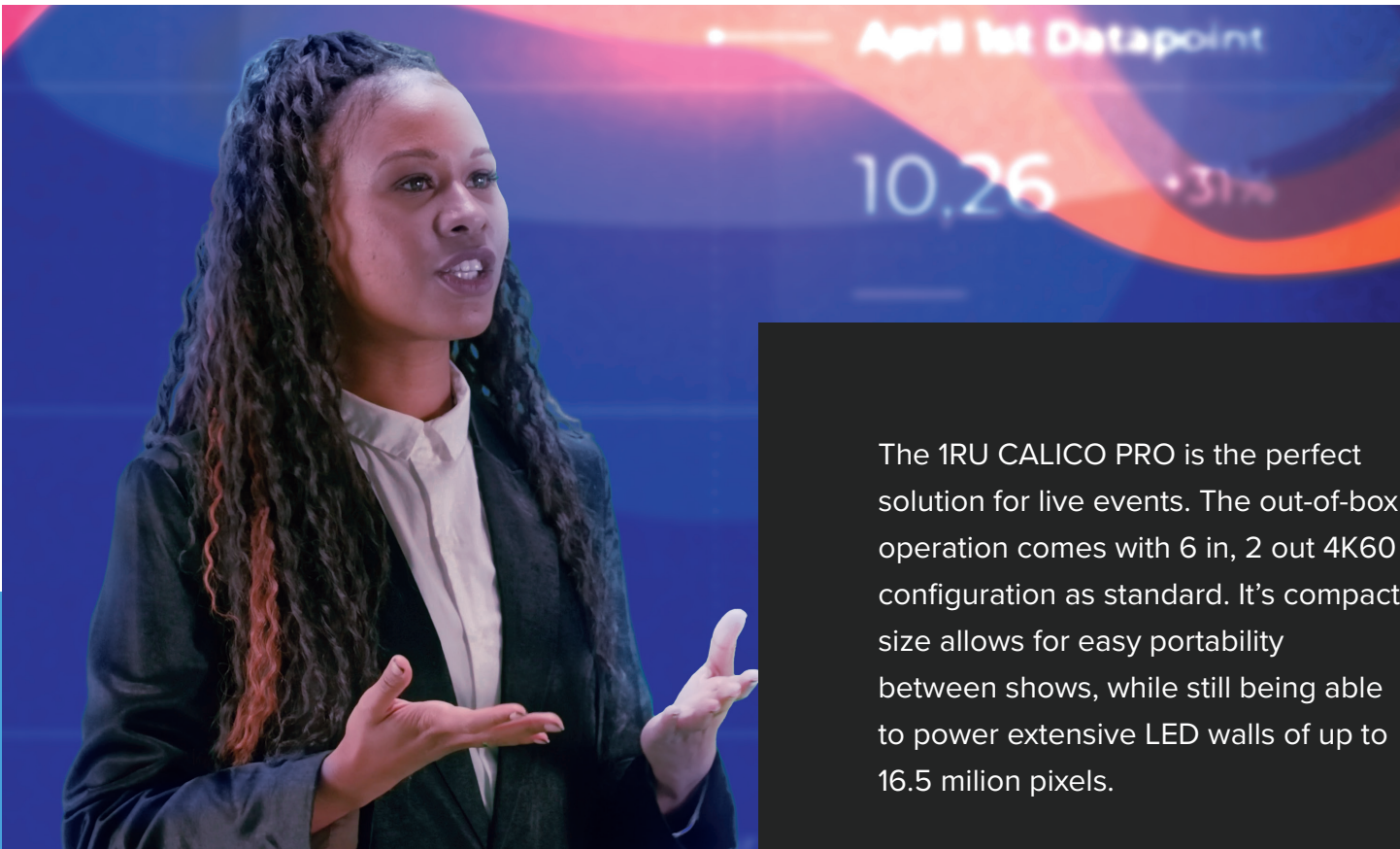
Dress to impress! Live events require low latency, unsurpassed image quality and rock-solid performance. CALICO PRO guarantees zero visible latency, regardless of the complexity of your setup when your presenter is on screen.



LEARN MORE

Collaborative visual engagements.
Download the blog





The 1RU CALICO PRO is the perfect solution for live events. The out-of-box operation comes with 6 in, 2 out 4K60 configuration as standard. It's compact size allows for easy portability between shows, while still being able to power extensive LED walls of up to 16.5 milion pixels.

STADIUMS & ARENAS

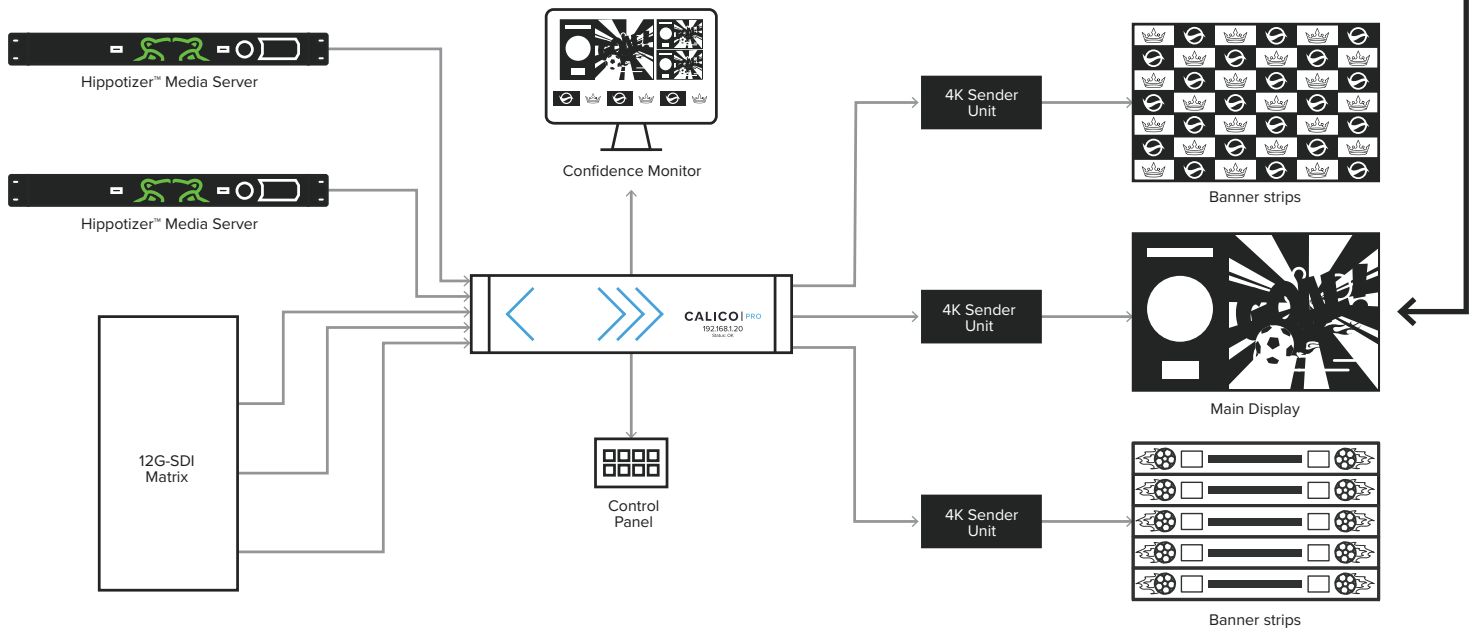


LEARN MORE

Capture the imagination of your audience.
Download the blog

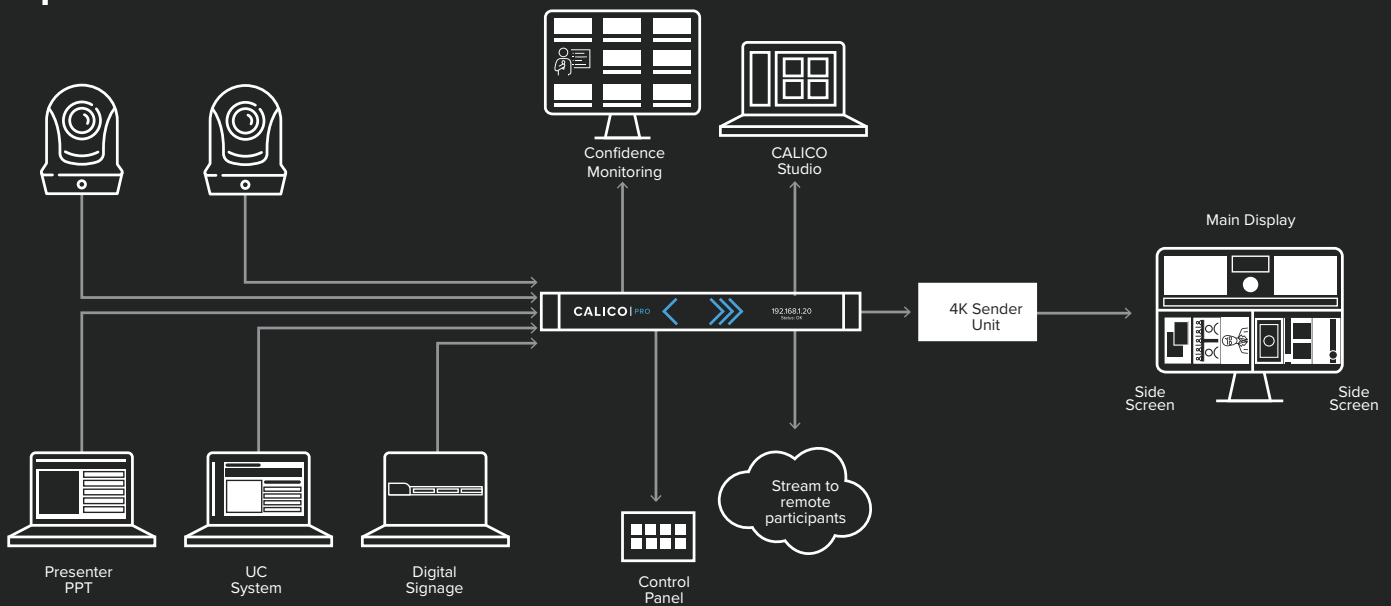


Visual experiences capture the imagination of your audience. Go beyond a simple video wall to create the WOW factor, with large scale LED using the range of CALICO PRO tools including multiple windows, keying and eye-catching transitions. If you can imagine it, we can deliver it!



HIGHER EDUCATION

CALICO PRO is the perfect solution to create highly engaging educational experiences to boost learning outcomes, team collaboration and information sharing. 4K clarity, 24/7 reliability, endless video windows and compatibility with any LED wall or edge blended projection help you increase overall engagement.



LEARN MORE

IN ROOM. ONLINE. BE THERE.

Collaborative visual engagements in your education facility.

Download the blog

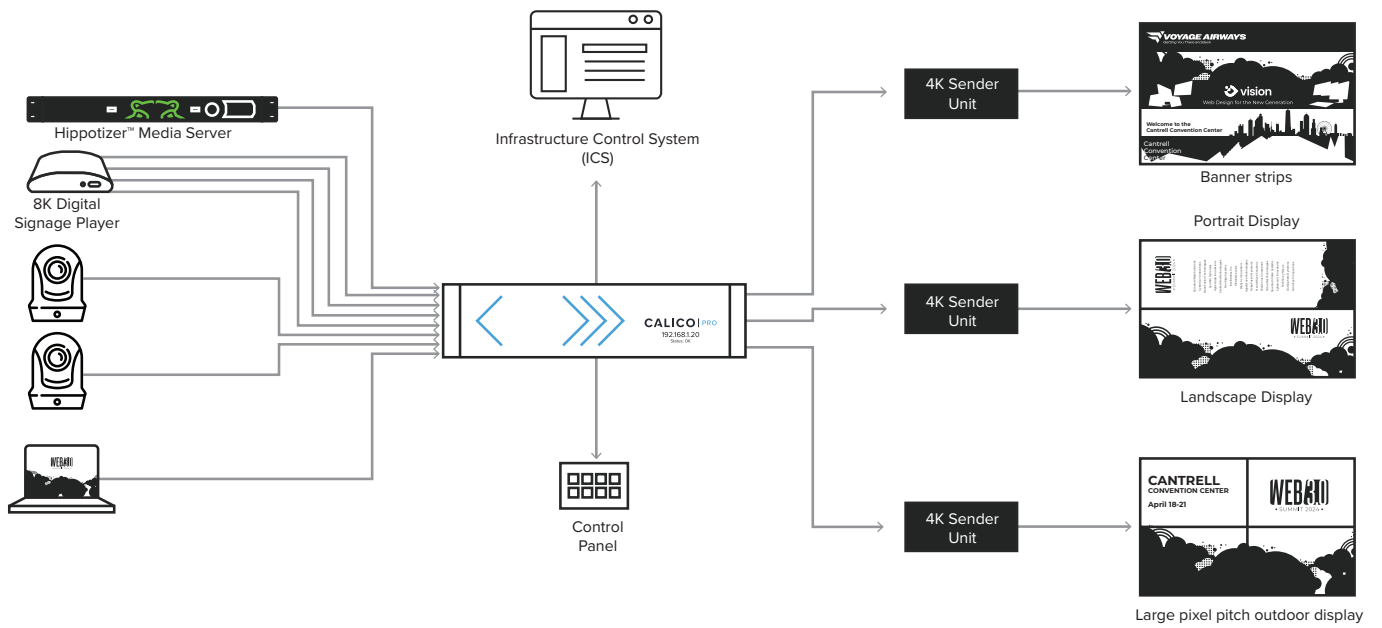




PUBLIC VENUES

Create captivating visual experiences across multiple LED walls with top-tier image quality and interactive control, all with a single CALICO PRO. Your favorite layouts can be brought to life with eye-catching transitions and keyed layers to add branding or additional information.





LEARN MORE

Power your creativity and create visually engaging experiences in any environment.
Download the blog

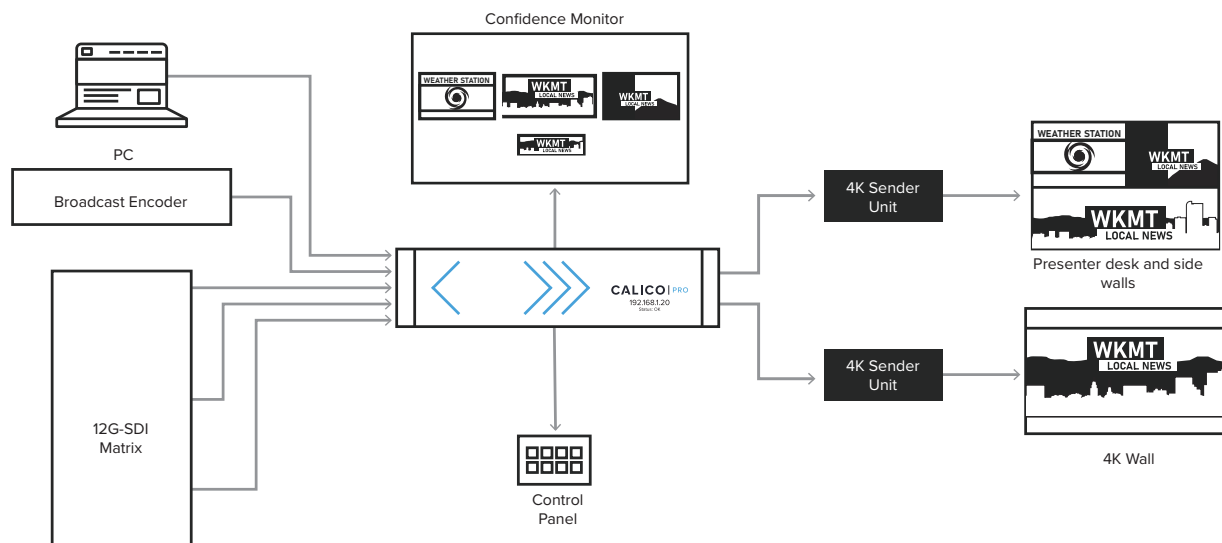






BROADCAST

Seamlessly manage multiple LED walls and displays use a single CALICO PRO. Stunning pixel accurate scaling, multi-windowing, eye-catching transitions, and 24/7 reliability come as standard. Using CALICO Studio, our easy-to-use design software, you are equipped with a creative tool to make any station stand out from the competition.



LEARN MORE

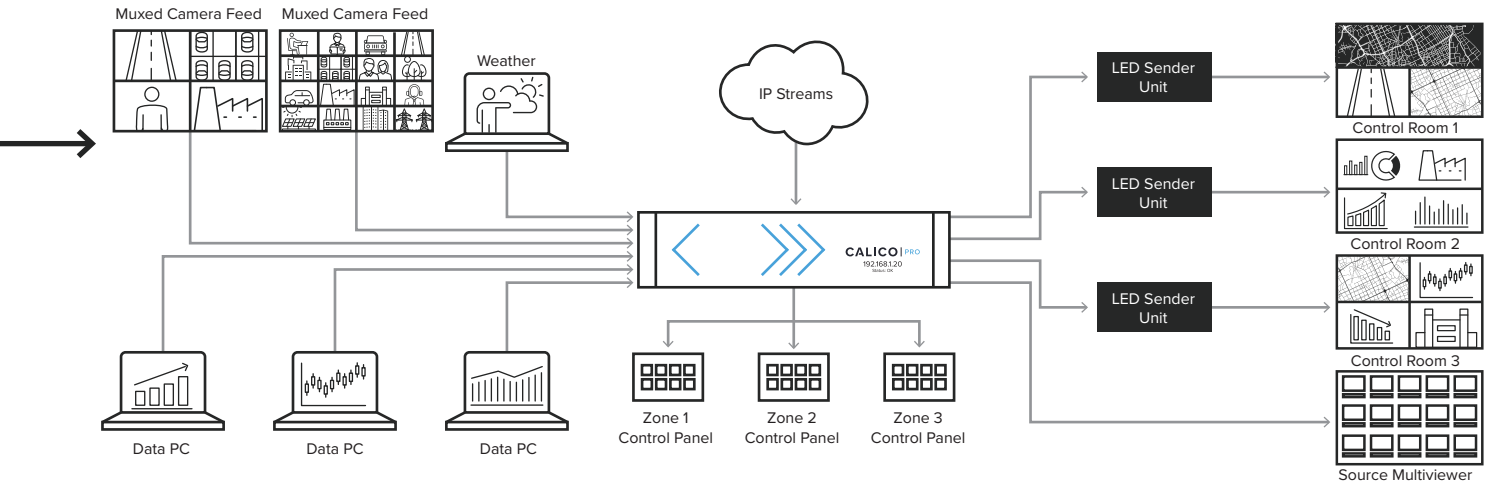
Engage and inform your viewers with a next-gen TV studio
Download the blog.



CONTROL ROOMS

Using CALICO PRO, control room teams can access even more information simultaneously, facilitating faster decision-making and higher levels of collaboration. With its secure, real-time capabilities, CALICO PRO is ready for deployment in critical control room environments across government agencies and emergency operation centers globally.





LEARN MORE

Next-level monitoring and control enables faster decision making and increased collaboration.

[Download the blog](#)





CUSTOM AND OEM PRODUCTS

If your company has a unique application that could benefit from CALICO technology, we are experienced in providing custom products. Please contact us for more information and to discuss your requirements.

WANT TO KNOW MORE?

To discuss CALICO for any of your future installations, please contact your regional sales manager. Get in touch today!

sales@tvone.com | sales.europe@tvone.com | www.tvone.com